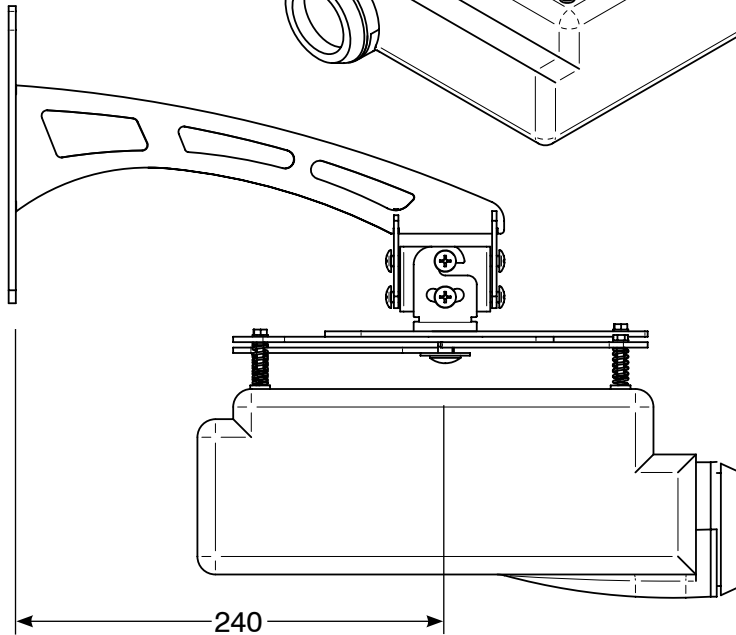
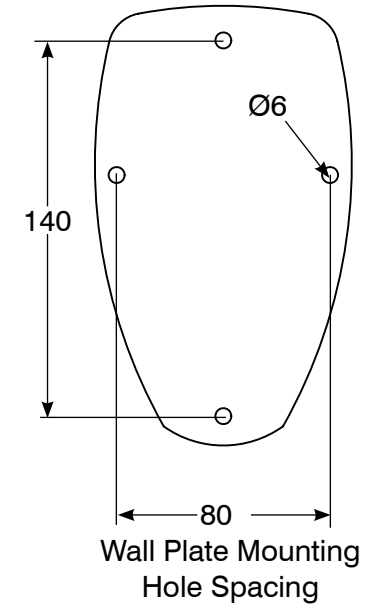
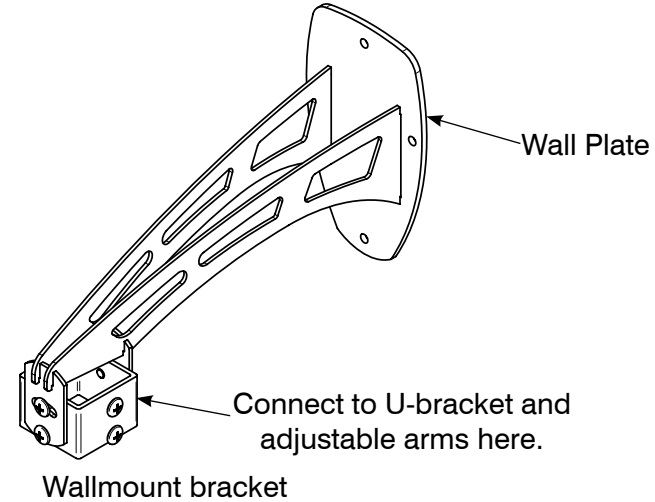
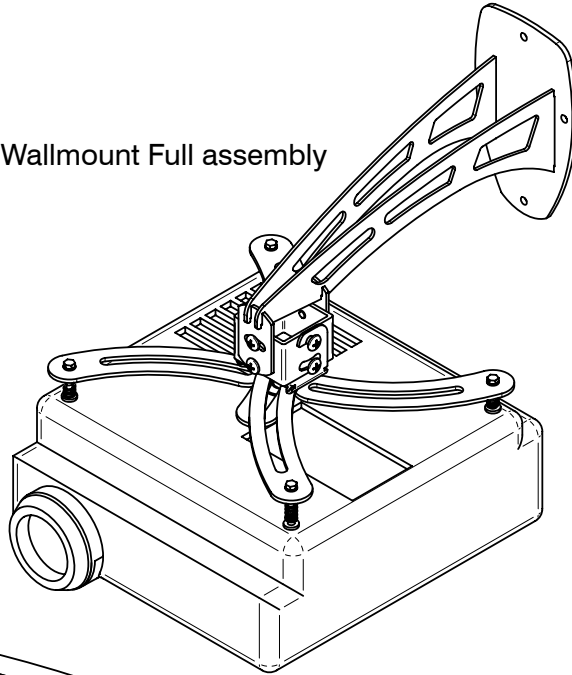


Specifications for LP Morgan Wallmount

Wallmount Full assembly



Distance from wall to center of projector (up to 12kg) is 240mm.

Features:

- Stylish adjustable arms to suit most base-mounted projector models. M4, M5 & M6 Bolts provided
- Certified to 12 kgs
- Independantly lockable Yaw, Tilt and Pan adjustments
- Suitable for exposed beams or bulkheads

Total Height	Colour	Product Code	Shipping Size (L x W x H)	Weight (kg)
200mm	Black	LPM4WALLB	300 x 220 x 130	2
200mm	White	LPM4WALLS	300 x 220 x 130	2
200mm	Silver	LPM4WALLW	300 x 220 x 130	2

All dimensions in mm

Manufactured in Australia by Herma, LP Morgan is the market leader in Projection Screens and Projector Mounts. For more information check out www.lpmorgan.com.au or call 1300 730 025