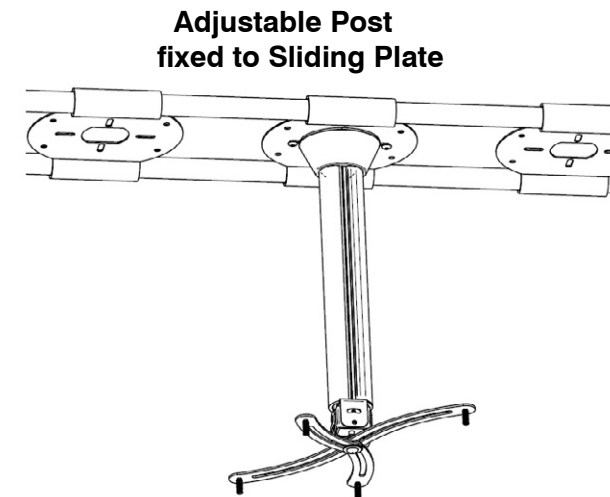
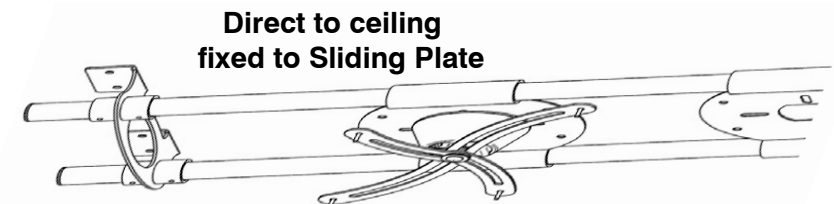
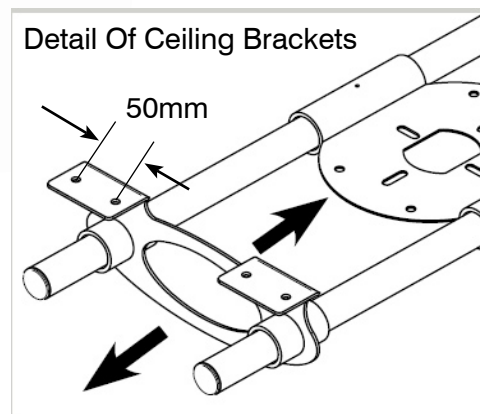
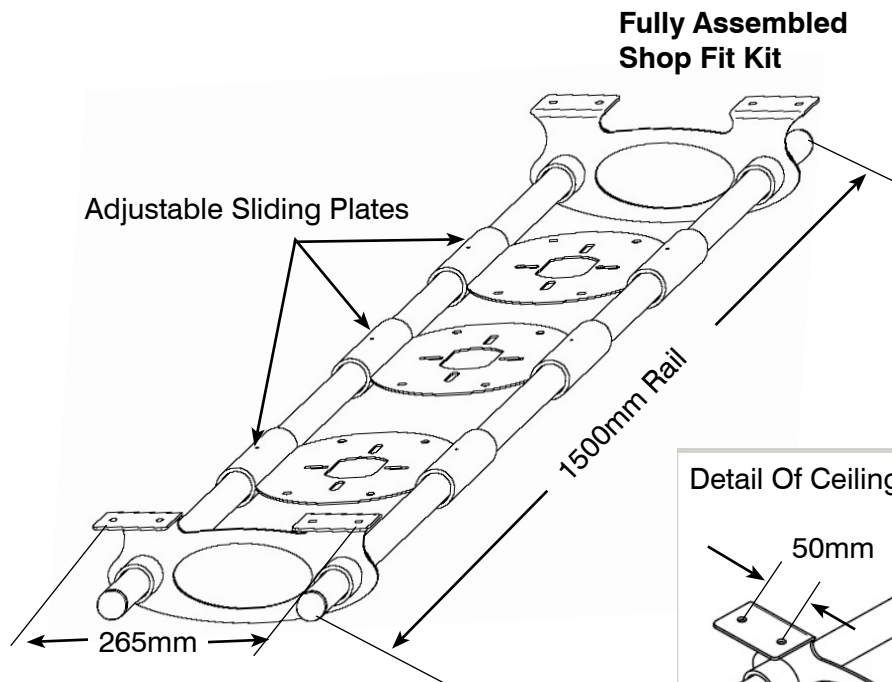


Specifications for LP Morgan Shop Fit Kit

Features:

- Designed to suit almost any sound lounge
- Can mount up to three projectors on the same rail
- Certified to carry up to 12kg weight on each sliding plate
- Custom colour available at extra charge (LPM49CASECOLOUR)

Product Code	Description	Dimension mm (l x d x h)	Shipping Size mm (l x d x h)	Weight (kg)
LPMSHOPKIT6	Silver 1.5m rail and Sliding plates	1500 x 300 x 110	1570 x 310 x 150	10
LPM49CASECOLOUR	Custom colour other than Silver	Included in above	Included in above	



(DTC and Adjustable Post not included with the Shop Fit Kit)