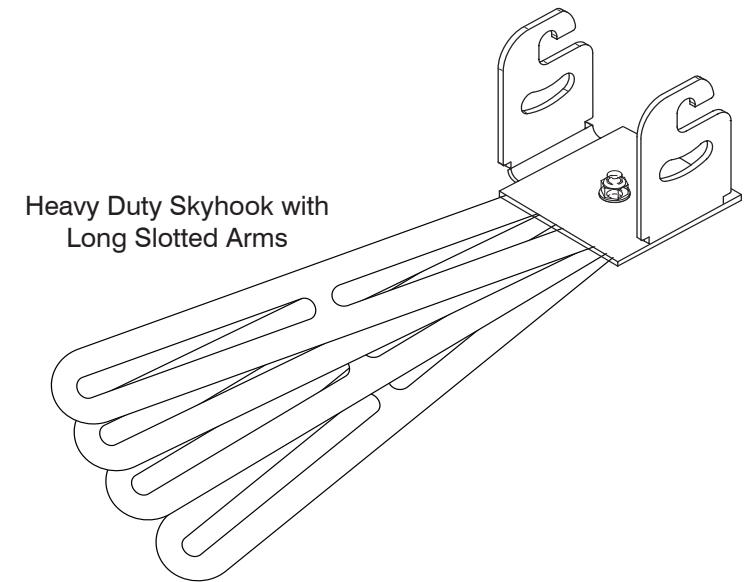
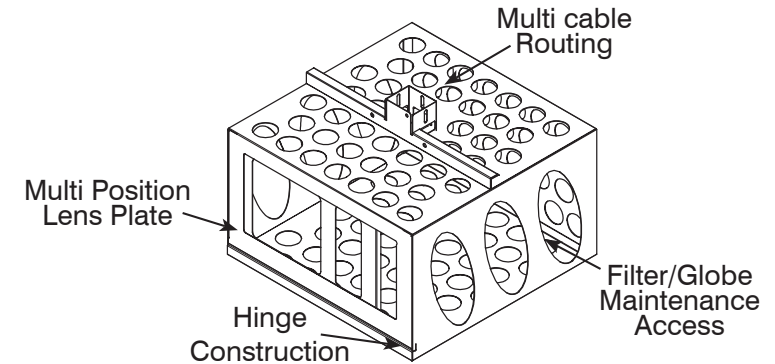
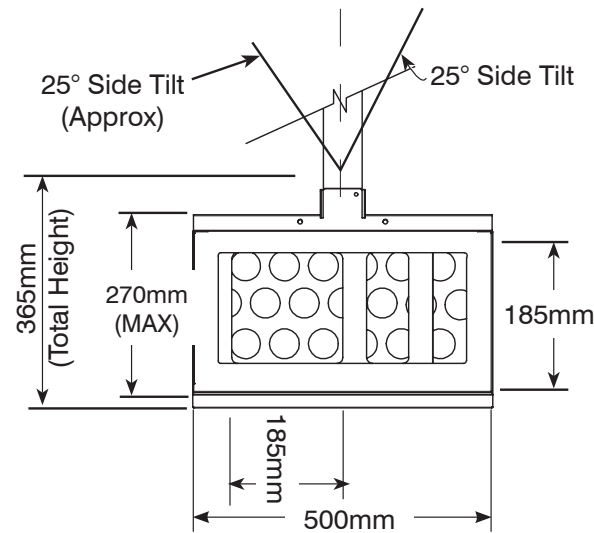
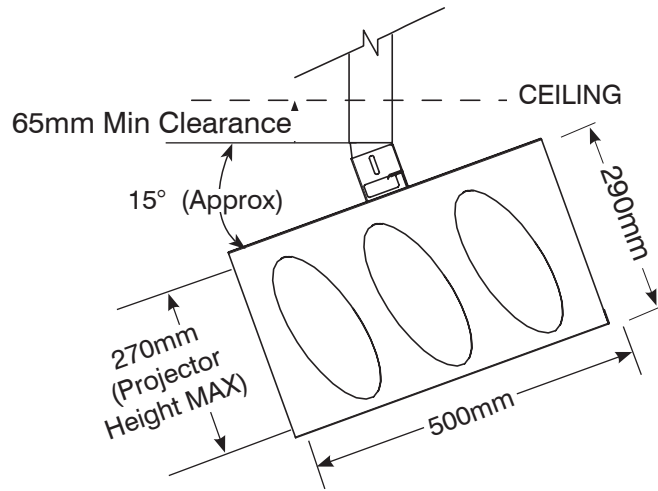


Specifications for LP Morgan Security Cage



Features

- Perfect for preventing damage or theft of Projectors.
- Single piece, hinged access steel cage with dual padlock access.
Note: Padlock not provided.
- Easy tilt or pan of the cage as well as the projector independently.
- Multi-position lens plate to accommodate different lens position.
- Provided with slotted extra length heavy duty arms and extended U-Hook.
- Ideal to be retrofitted with previous installation(Compatible with Skyhook poles only)
- Cable management through column, universal and security cage collar.
- Ideal projector ventilation and specially designed for maintenance access without removing projector.

(Not suitable for the use with Skyhook Direct to Ceiling mount.)

Code	Colour	Dimensions L x W x H (mm)	Shipping Size L x W x H (mm)	Weight (kg)
LPM4SKYWSECL	White	500 x 500 x 365	525 x 525 x 400	10.0