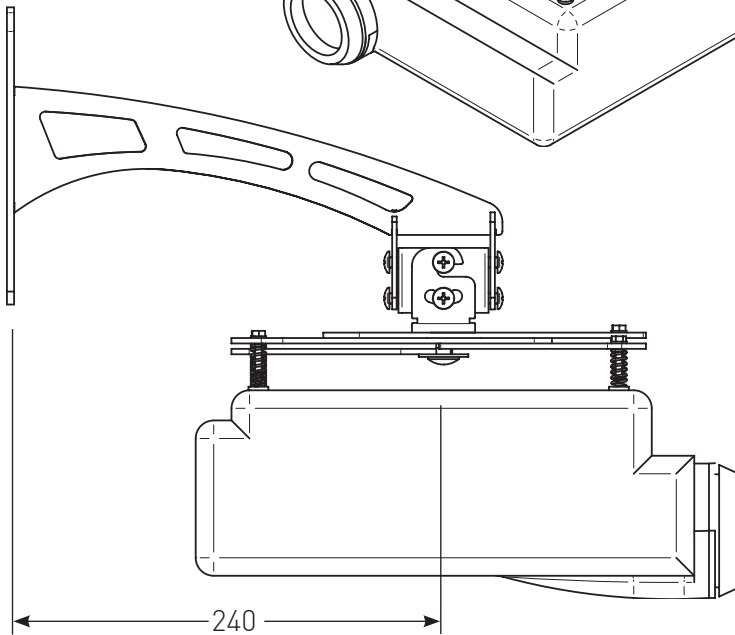
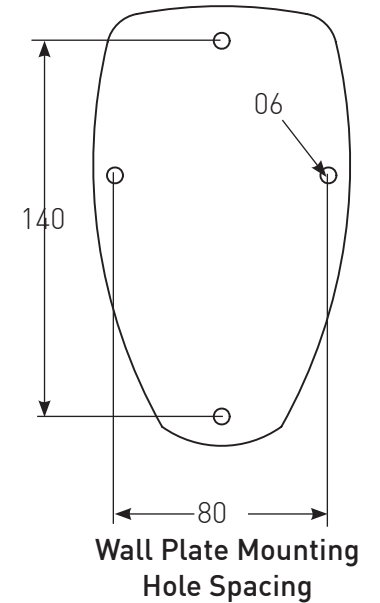
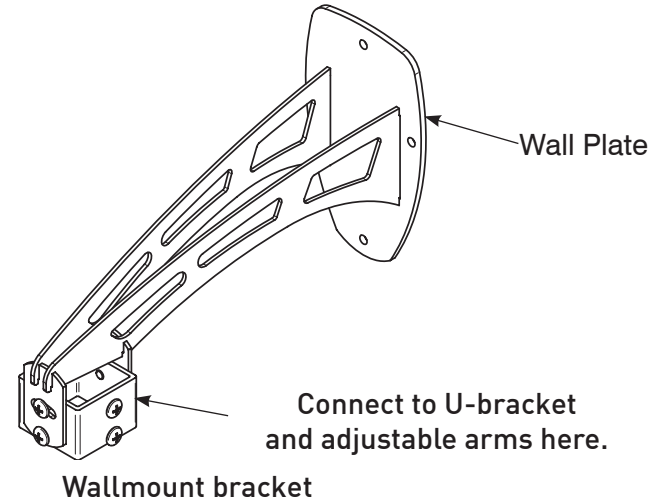
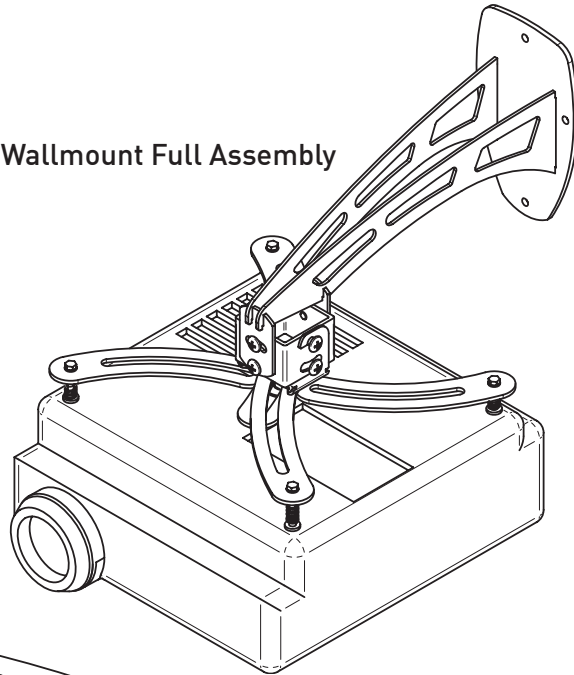


Specifications for 2C Hang It (Wall)



Wallmount Full Assembly



Distance from wall to centre of projector (up to 12kg) is 240mm.

Features:

- Stylish adjustable arms to suit most base-mounted projectors, M4, M5 & M6 Bolts provided
- Certified to 12 kgs
- Independently lockable Yaw, Tilt and Pan adjustments
- Suitable for exposed beams or bulkheads

Total Height	Colour	Product Code	Shipping Size (L x W x H)	Weight (kg)
200mm	Black	2C130	300 x 220 x 130	2
200mm	White	2C131	300 x 220 x 130	2