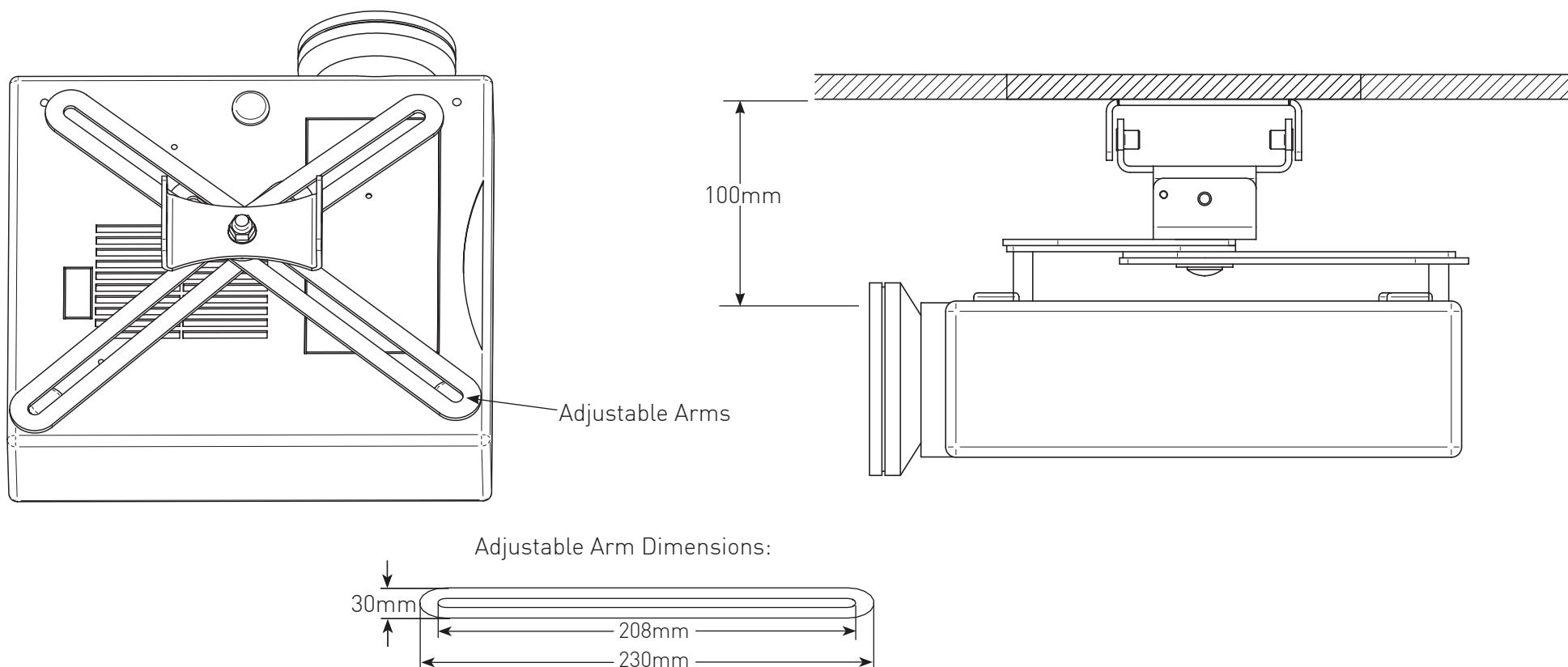


Specifications for 2C Hang IT



Adjustable Arm Dimensions:

Product Code	Colour	Max Projector Weight	Shipping Size
2C101	Black	12 kg	200 x 150 x 65
2C102	White	12 kg	200 x 150 x 65

Specifications are subject to change without notice

Features:

- Suits most based-mounted projectors
- M4, M5 and M6 mounting bolts and spacers provided
- Can Carry upto 12kg projector weight.
- Independently lockable yaw, tilt and pan adjustments
- Extension Pole available - "Extend IT" 2C110 or 2C111