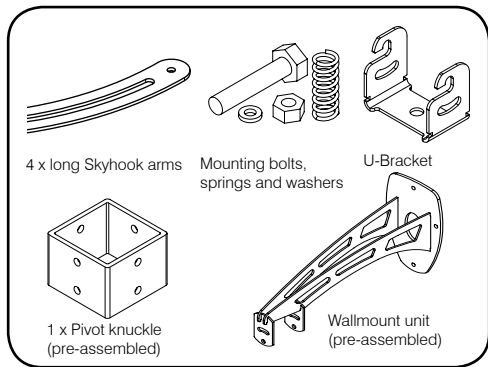
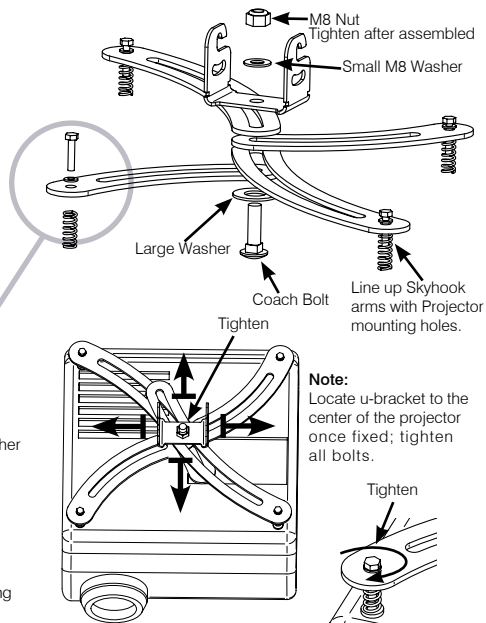


LP Morgan Wallmount Instruction Manual

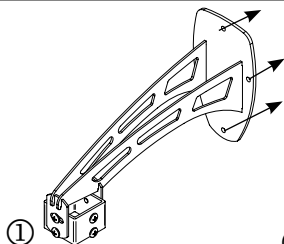
Unpacking Wallmount



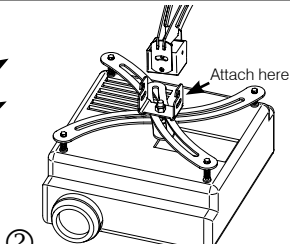
Attaching Skyhook to Projector



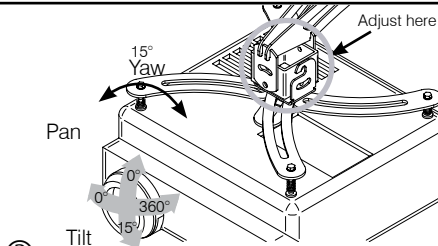
Wallmount Installation



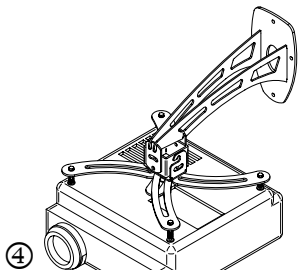
- ① Secure the mounting plate and pivot knuckle to wall with appropriate fasteners.



- ② Hook skyhook onto pivot knuckle, secure with 4 x M6 bolts.



- ③ Adjust position (pan/tilt/yaw). Lock off 8 x M6 bolts.



- ④ Installation completed, enjoy the show.

**Information in this document is subject to change without notice.
© 2002-2010 Herma Technologies. All rights reserved.**

Reproduction in any manner whatsoever without permission of Herma Technologies is strictly forbidden.
Trademarks used in this text: Herma, the Herma Logo, and LP Morgan logo are registered trademarks of Herma Technologies. Other trademarks and trade names may be used in this document to refer to either the entities claiming the marks and names or their product. Herma Technologies disclaims interest in trademarks and trade names other than its own.

Mar 2010

Version 1.1



Factory 4a, 6 Albert Street Preston Vic 3072 Australia

Phone: +61 3 9480 6233 Fax: +61 3 9480 6533

Email: info@herma.com.au

Web: www.herma.com.au | www.lpmorgan.com.au