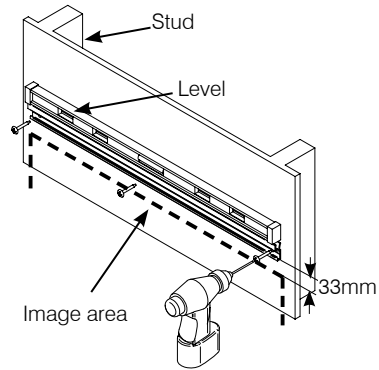
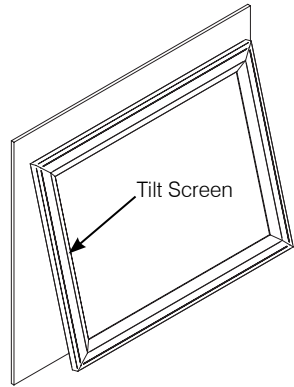


Step 6

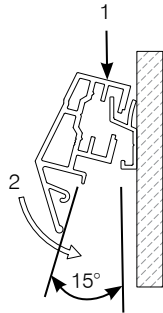
Screw Ezy-Mount on the wall with 3 x screws; make sure it is level.



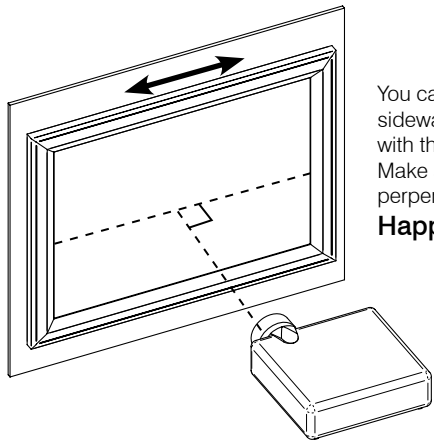
Step 7



Hook screen onto top edge on Ezy-Mount 15° from vertical then let it drop into position.



Step 8



You can slide screen sideways until it lines up with the image horizontally. Make sure projector sits perpendicular to the screen.

Happy Viewing!

gv GRANDVIEW®
MEETS YOUR VISION.

Protecting Your Screen:

- Keep away from direct sunlight or high temperatures.
- Examine both the front and back surfaces before retracting into the case to make sure it is free of dust, dirt, insects or other foreign matter.
- Use a soft brush or cloth to lightly remove any foreign particles.

Cleaning Your Screen:

- Do not use any solvents, chemicals or abrasive cleaners on the screen surface.
- Use a mild detergent with warm water to remove any marks on the surface or screen case.
- Always immediately dab the screen with a lint free soft cloth to avoid soap marks.
- Do not scrub the surface.

Warranty: 12 Months

Manufactured in Australia by:

Herma Technologies
Factory 4A, 6 Albert St
Preston, VIC 3072
Phone: 1300 730 025

For more information please go to:

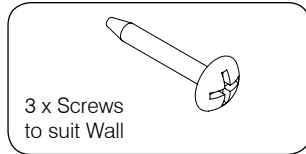
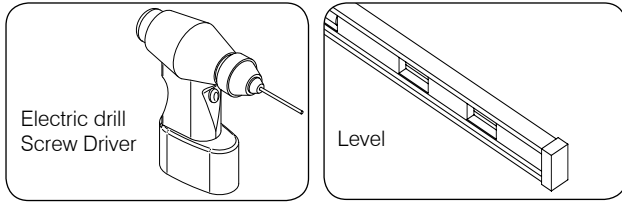
www.grandviewscreens.com.au

gv GRANDVIEW®
MEETS YOUR VISION.

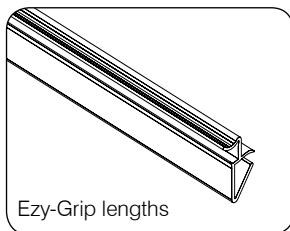
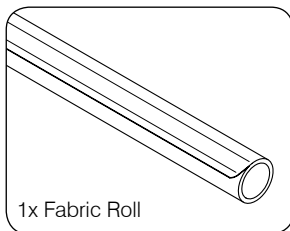
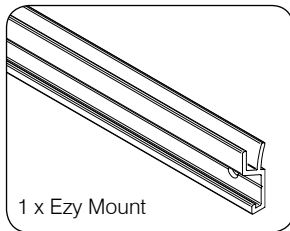
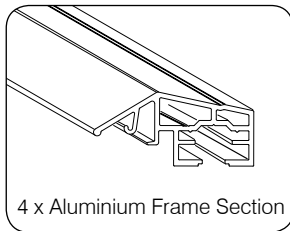
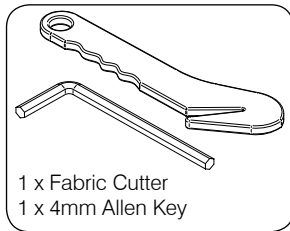
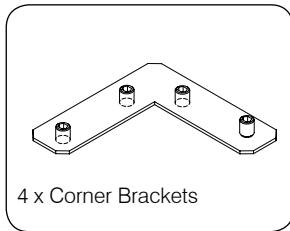


Grandview Powdercoated
Frame Screen User Manual

Required (not supplied)

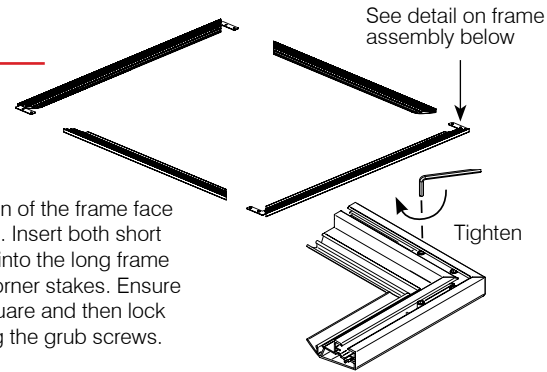


Supplied parts



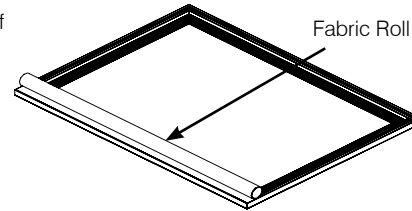
Step 1

Lay each section of the frame face down as shown. Insert both short frame sections into the long frame sections with corner stakes. Ensure all joints are square and then lock off by tightening the grub screws.



Step 2

With frame still face down place fabric roll on edge of frame and roll fabric off the roll.

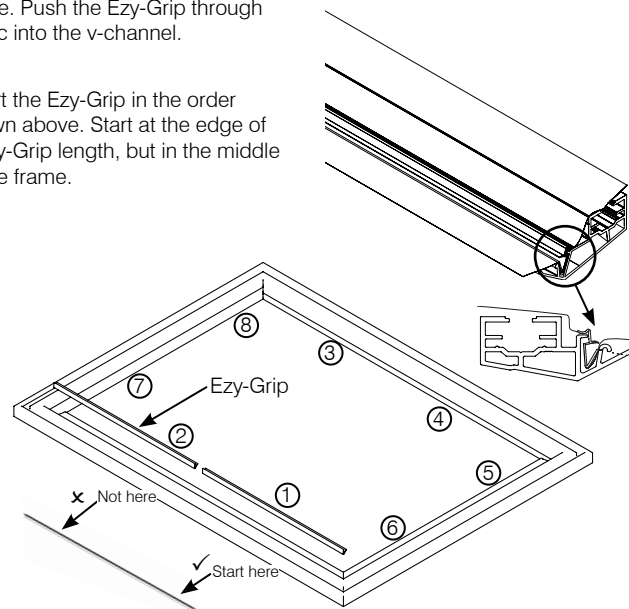


* Take note of "Viewing Side" label on fabric

Step 3

Stretch fabric over the back of the frame. Push the Ezy-Grip through fabric into the v-channel.

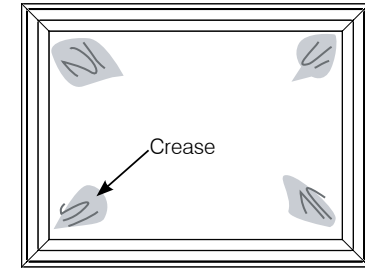
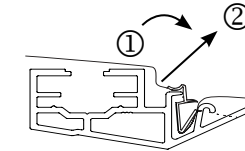
Tip: Insert the Ezy-Grip in the order shown above. Start at the edge of a Ezy-Grip length, but in the middle of the frame.



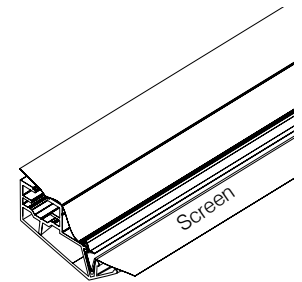
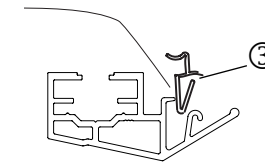
Step 4

If creases or ripples have developed in the screen surface, don't panic. You can easily re-tension the fabric by pressing and holding the Ezy-Grip to release the fabric. To re-tension the fabric see the diagrams below.

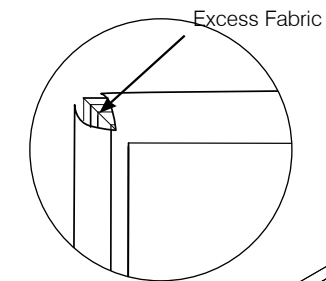
To release the Ezy-Grip push the handle forward then lift up to remove. The fabric is now ready to be re-tensioned.



To re-tension the fabric, re-insert the Ezy-Grip and secure the fabric once more.



Step 5



Once screen is free of creases, trim the excess material with the supplied fabric cutter.

