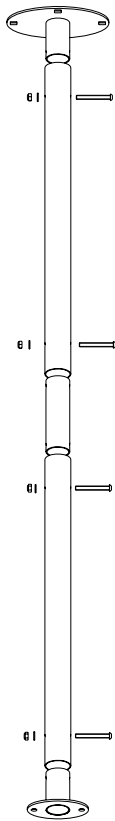
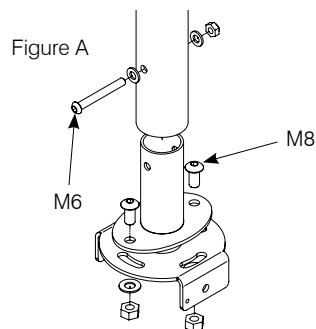


Projector Mount Extension

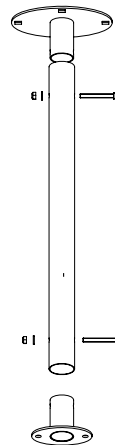
1000mm version



1. Attach the ceiling plate to the ceiling with appropriate fasteners.
2. Bolt the two poles together using the supplied joiner and M6 bolts.
3. Attach the extender pole to the ceiling plate using the M6 bolt provided.
4. Attach the base plate to the extender pole using the M6 bolt provided.
5. Attached the Universal Projector Mount (not included) to the extender pole using the M8 bolts provided. See Pic A.
6. Follow the instructions supplied with the Universal Projector Mount to mount projector.



500mm version



1. Attach the ceiling plate to the ceiling with appropriate fasteners.
2. Attach the extender pole to the ceiling plate using the M6 bolt provided.
3. Attach the base plate to the extender pole using the M6 bolt provided.
4. Attached the Universal Projector Mount (not included) to the extender pole using the M8 bolts provided. See Figure A.
5. Follow the instructions supplied with the Universal Projector Mount to mount projector.

gv GRANDVIEW®

This is an Extension Pole Only.
Not Included, but required is the:

GV Universal Projector Mount
Product Codes:

GVMBE (Black)
GVMWE (White)

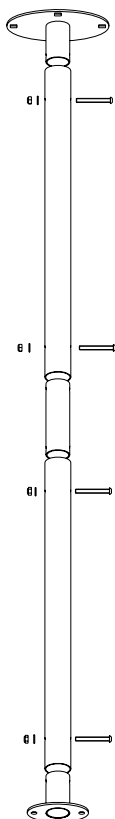
Available at your local GV Dealer

www.grandviewscreens.com.au

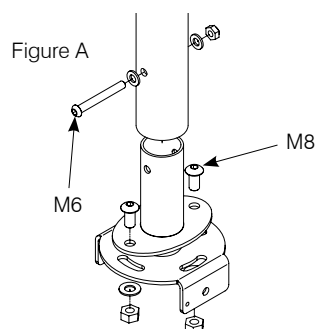
GV_Extension_Pole_Sep11_v2.1

Projector Mount Extension

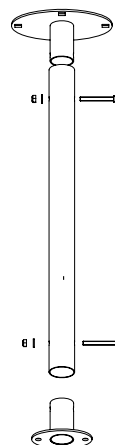
1000mm version



1. Attach the ceiling plate to the ceiling with appropriate fasteners.
2. Bolt the two poles together using the supplied joiner and M6 bolts.
3. Attach the extender pole to the ceiling plate using the M6 bolt provided.
4. Attach the base plate to the extender pole using the M6 bolt provided.
5. Attached the Universal Projector Mount (not included) to the extender pole using the M8 bolts provided. See Pic A.
6. Follow the instructions supplied with the Universal Projector Mount to mount projector.



500mm version



1. Attach the ceiling plate to the ceiling with appropriate fasteners.
2. Attach the extender pole to the ceiling plate using the M6 bolt provided.
3. Attach the base plate to the extender pole using the M6 bolt provided.
4. Attached the Universal Projector Mount (not included) to the extender pole using the M8 bolts provided. See Figure A.
5. Follow the instructions supplied with the Universal Projector Mount to mount projector.

gv GRANDVIEW®

This is an Extension Pole Only.
Not Included, but required is the:

GV Universal Projector Mount
Product Codes:

GVMBE (Black)
GVMWE (White)

Available at your local GV Dealer

www.grandviewscreens.com.au

GV_Extension_Pole_Sep11_v2.1