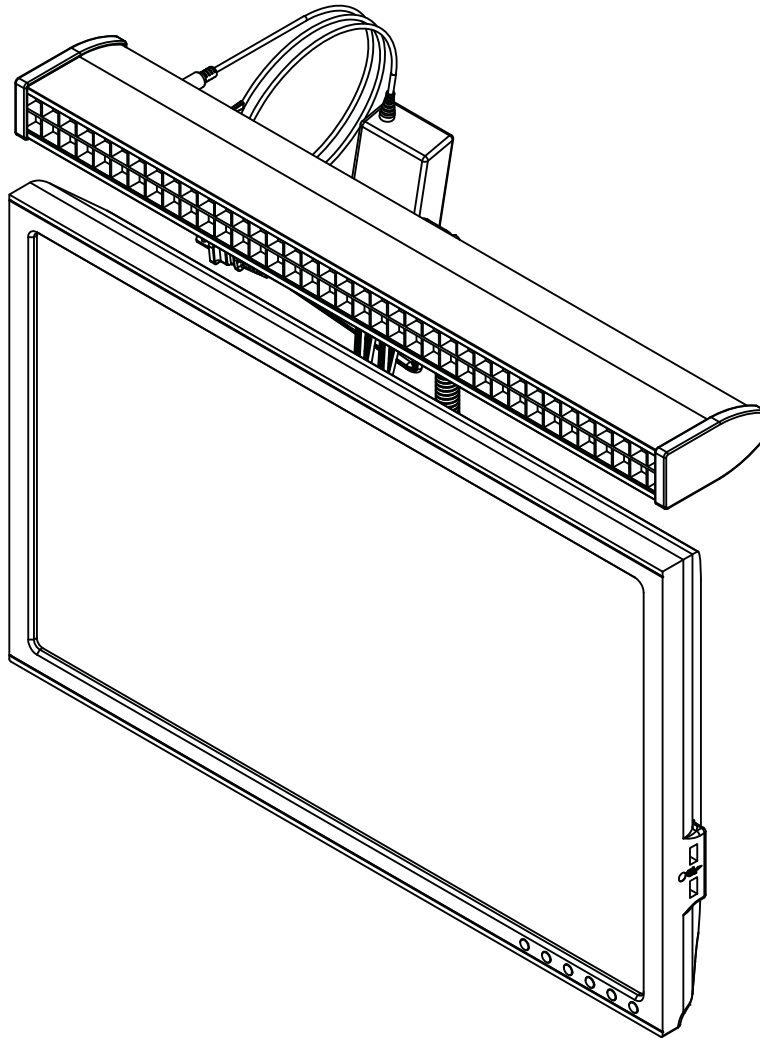




brightline[®]
Evolutionary Lighting Systems

i-Series™ Videoconference Fixture

Operation and Installation Guide



580 Mayer Street, Building #7, Bridgeville, PA 15017 • Phone: 412.206.0106 • Fax: 412.206.0146
www.brightlines.com

© 2010 Brightline, LP *All rights reserved. Patent pending.*

Safety

- To prevent fire or electric shock, do not expose the fixtures to water or moisture. i-Series fixtures are listed for indoor use only.
- Do not open fixture, as this may cause damage to internal workings.

Owner's Record

- The model number of this product can be found on the top of the power supply. You should note the model number in the space provided and retain this book for future reference as a permanent record of your purchase.

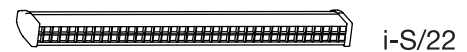
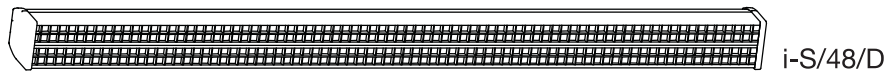
Model No. _____

Date of Purchase _____

Product Description

i-Series Fixture

The i-Series, a sleek, energy-efficient LED fixture, is scalable to virtually any monitor. Cool-to-the-touch, the i-Series fixtures make it easy to look your best on camera, allowing individuals to conference remotely without sacrificing critical visual details.



Specifications

Housing:

.078" thick Aluminum extrusion, Aluminum cast end caps.

Reflector:

.09" Aluminum reflector, powder-coated gloss-white.

Finish:

Fixture body and end caps are painted with a smooth gloss-black powder-coating.

Transformer:

A low-voltage transformer with a 6-foot power cord. The plug is a NEMA 1/15P (using a single-pin connection). Input 100-240V AC 50/60 Hz.

Lamp:

LED - warm white

3200K - 50,000 hours

Optional Accessories:

VESA mounting bracket in 75mm -100mm, 100-200mm sizes.
(Mounting bracket dependent on montior.)

Dimensions:

The overall dimensions of the fixture body are:

i-S/16: 16" x 1.71" x 3.5" (406.4mm x 43.44mm x 88.9mm)

i-S/22: 22" x 1.71" x 3.5" (558.8mm x 43.44mm x 88.9mm)

i-S/36: 36" x 1.71" x 3.5" (914.4mm x 43.44mm x 88.9mm)

i-S/48: 48" x 1.71" x 3.5" (1219.2mm x 43.44mm x 88.9mm)

i-S/48/D: Double-High: 48" x 3.21" x 3.5" (1219.2mm x 81.54mm x 88.9mm)

Labels:

CE, UL, cUL, CCC, and PSE certifications pending. Patent Pending.

ATTACHING THE VESA PLATE

1. Unpack the fixture.
2. Locate the VESA plate and mounting screws.
3. On the reverse of the monitor, locate the VESA mounting pattern (fig. 1)
4. Align VESA plate to mounting pattern, and, using the provided mounting screws, proceed to attach the VESA plate to monitor. Make sure that the attached VESA bracket angle is facing away from the monitor, and is oriented to achieve the desired position of the fixture. (fig. 2)

(NOTE: Flip VESA bracket for additional heights)

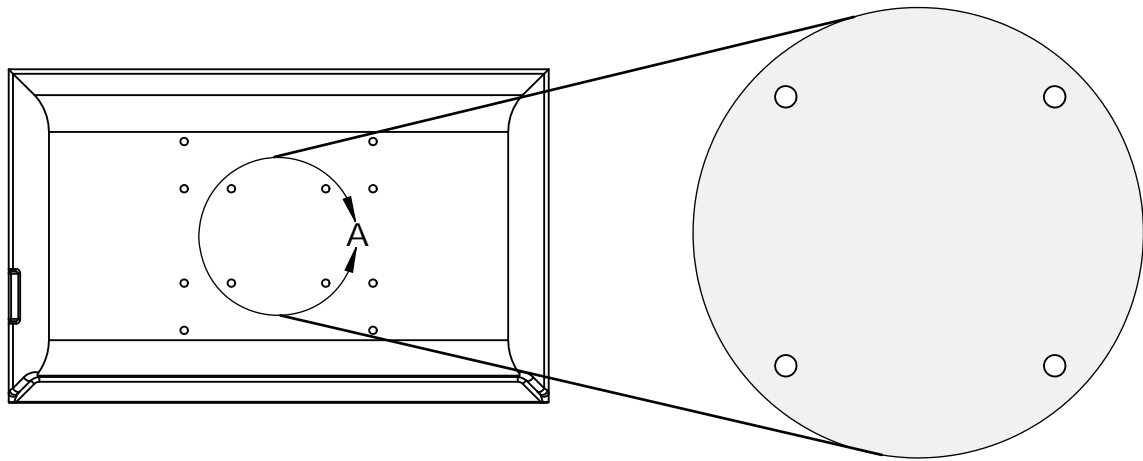


Figure 1: 100mm VESA pattern shown

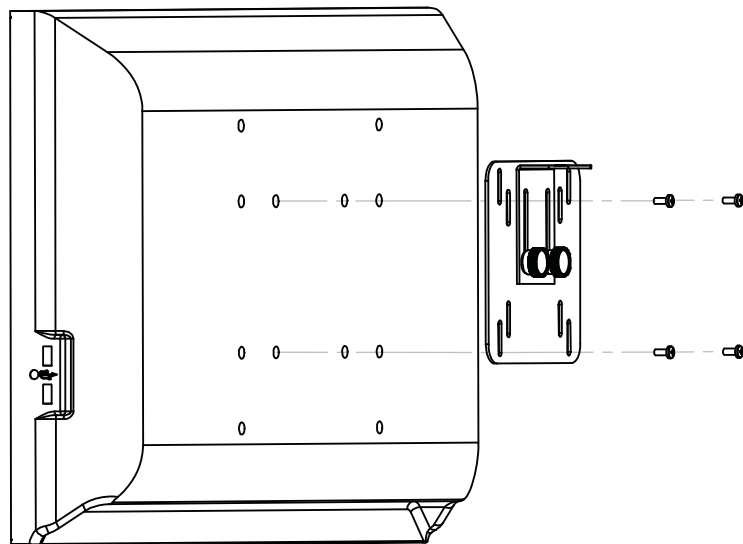


Figure 2: Attaching the VESA plate to monitor

ATTACHING THE FLEX ARM

Using the VESA bracket angle, the provided screw, and the provided Allen wrench, attach the flex arm to the bracket angle. (fig.3)

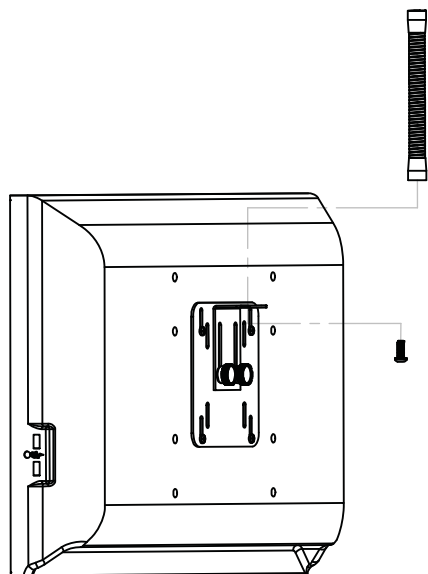


Figure 3: Attaching the Flex Arm to the VESA plate

ATTACHING THE FIXTURE

Using the flex arm, the provided screw, and the fixture, attach the fixture to the flex arm by means of the attached bracket of the fixture. (fig.4)

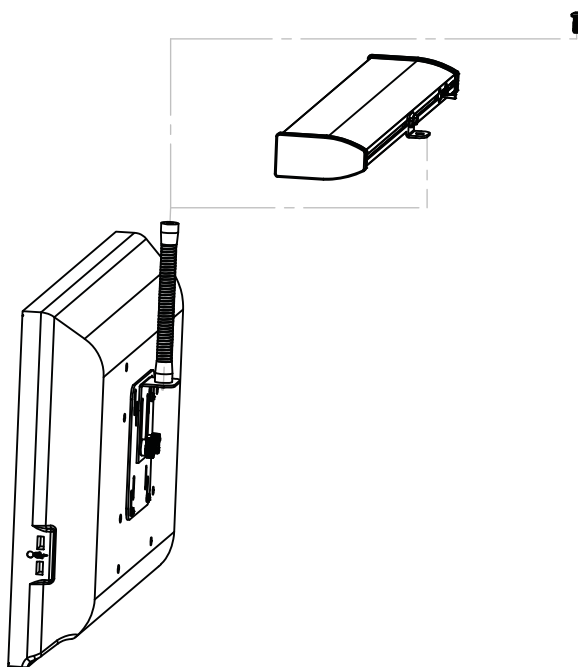


Figure 4: Attaching the Fixture to the Flex Arm

Installation

POWERING THE FIXTURE

Insert plug into the fixture and into wall. On-Off switch is located on back of fixture. (fig. 5)

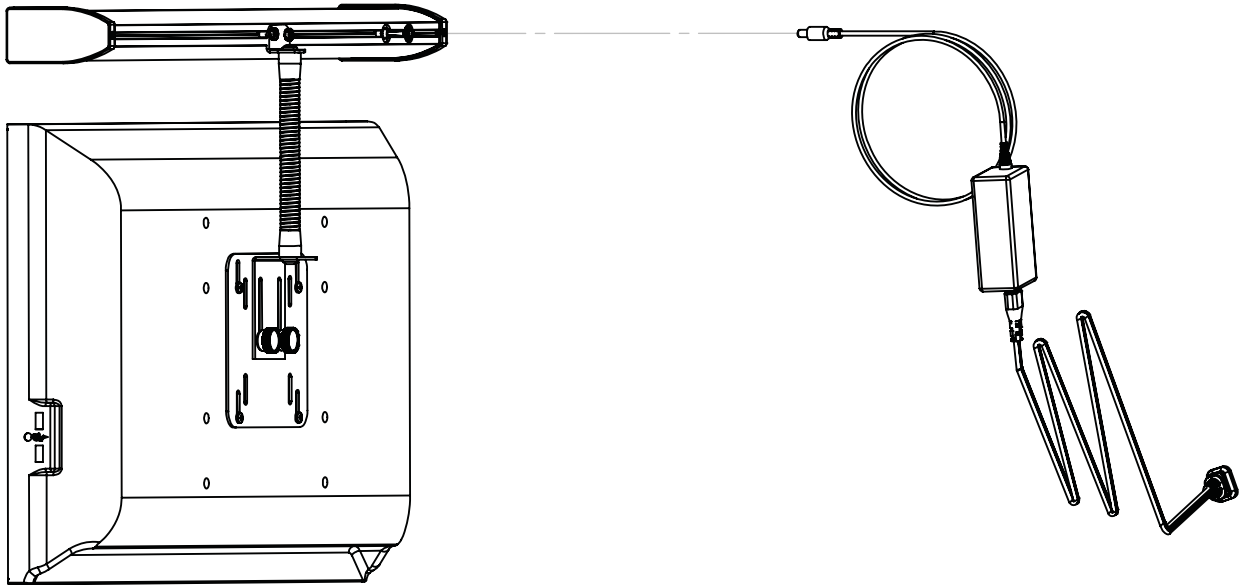


Figure 5: Powering the fixture.

Adjust the height of the fixture as needed using knobs on angle bracket.



WARRANTY

Brightline guarantees all its products to be free from defects in materials and workmanship for a period of one (1) year from the date of shipment.

PROCEDURES

If any product is found to be unsatisfactory under this warranty, the buyer must notify **Brightline** immediately. Once a course of action has been determined, if it is necessary to return the product to **Brightline**, a Return Authorization (RA) will be issued. Ship the product directly to **Brightline**, 580 Mayer Street, Building #7, Bridgeville, PA 15017. The RA number should be marked on the shipping carton. The unit will be replaced or put into proper operating condition, free of charges. The correction of any defects through repair or replacement by **Brightline** shall constitute fulfillment of all obligations and liability of **Brightline** to the buyer under this warranty and the contract of sale.

DISCLAIMERS

Brightline is not responsible for damage to its products caused by improper installation, maintenance, or use; by improper electrical hookups; or by unauthorized repairs.

Failure to notify **Brightline** of unsatisfactory operation or any improper or unauthorized installation, maintenance, use, repairs, or adjustments shall terminate the warranty and **Brightline** shall have no further responsibility under the warranty.

Brightline shall not be liable for special or consequential damages in any claim, action, suit, or proceeding arising under this warranty or contract of sale, nor shall **Brightline** be liable for claims of labor, loss of profits or goodwill, repairs, or other expenses incidental to replacement. **Brightline** makes no other warranty of any kind whatsoever, expressed or implied, and all implied warranties of merchantability and fitness for a particular purpose that exceed the obligation specifically described in this warranty are hereby disclaimed by **Brightline** and excluded from this agreement.

All shipments, unless otherwise noted, are F.O.B. factory.

The customer is advised to inspect for shipping damage, apparent and/or hidden. If detected, notify the transportation company and file your claim.

580 Mayer Street, Building #7, Bridgeville, PA 15017 • Phone: 412.206.0106 • Fax: 412.206.0146
www.brightlines.com