

## Quality Features

2C has been specially designed to suit the needs of people who are using their projector in education, presentations or as a huge computer monitor.

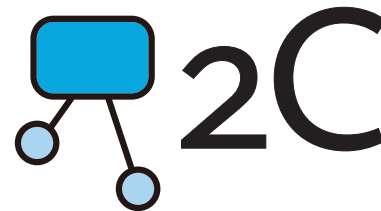
With bright clear images up to nearly 2.5 metres wide, 2C screens will get everyone involved in what you're showing.

## What's an Aspect Ratio?

An aspect ratio is the shape of the projected image and it changes depending on what you are watching. Overhead projectors are mostly square; TV is mostly 4:3; movies can be 16:9 (also known as widescreen) or even wider like cinemascope. Sounds confusing? It can be.

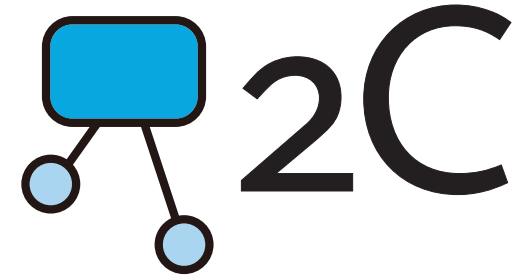
2C Enjoy IT screens overcome this problem by being flexible - they suit any shaped output at all.

So just sit back and enjoy.



Imported and Distributed in Australia by  
Herma Technologies  
Factory 4A, 6 Albert St  
Preston, VIC 3072

For more information please go to  
[www.2cdisplays.com.au](http://www.2cdisplays.com.au)  
or call 1300 730 025



2C Enjoy IT  
User Manual  
2C756/2C757/2C745

Feb 2009 Version 1.2

## To The Owner

Congratulations on purchasing a 2C projection screen, designed and engineered to produce the sharpest, most pleasing pictures with maximum convenience.

## Protecting Your Screen

To ensure long lasting viewing enjoyment, always keep the screen rolled up in its protective case when not in use. Always examine both the front and back of surface before retracting the screen into its case to make sure it is free of dust, dirt, insects or foreign matter. Use a soft brush or cloth to gently remove any foreign particles.

## Cleaning Your Screen

NEVER attempt to use any solvents, chemicals or abrasive cleaners on the screen.

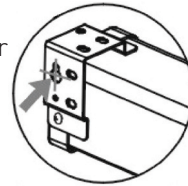
Use a mild detergent with warm water to remove any marks on the surface or screen case. Always immediately dry the screen with a soft cloth or towel after cleaning.

## Mechanical Installation

2C screens may be mounted on the wall, or from the ceiling to suit your requirements. Always ensure the screen is mounted level and that the back of the case is parallel to the wall. Mount brackets securely on a flat surface. eg. into studs. Check brackets are level.

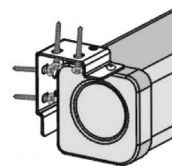
## Wall Installation

Use the keyhole slot at the back of the hanging bracket for flush wall suspension. Position screws or other suitable fasteners into the wall and hang the screen using the slots as shown right.



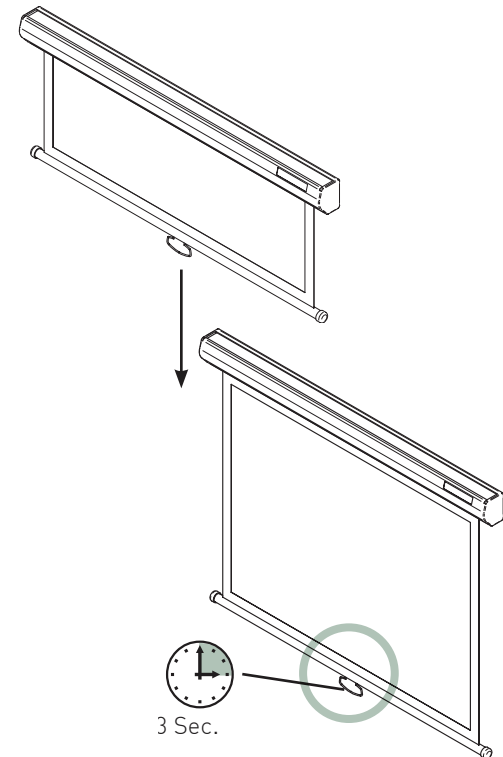
## Ceiling Mount

Screen can be ceiling mounted as shown.



## Operation

Lower the screen by pulling down the handle. Once in position, hold for 3 seconds: the self locking mechanism will lock screen into position.



Retract the screen by pulling down the handle and then let go of it. The screen will retract into the casing.